

Eco Preparation 1000 mm Sink with 1 Bowl - Left Drain

ITEM # _____

MODEL # _____

NAME # _____

SIS # _____

AIA # _____


132896 (SL10SN)

 Sink Unit with 1 bowl left
 hand drainer
 400x500x250mm, 1000mm

Short Form Specification

Item No. _____

Worktop in 304 AISI stainless steel with front edge h=50mm. Rear upstand h=100mm. N.1 bowl 400x500mm. Front and side covering panels in stainless steel. Rear panel in stainless steel. Square section legs 40x40mm in stainless steel with adjustable feet.

Main Features

- Sturdiness, stability and reliability of table accurately tested.

Construction

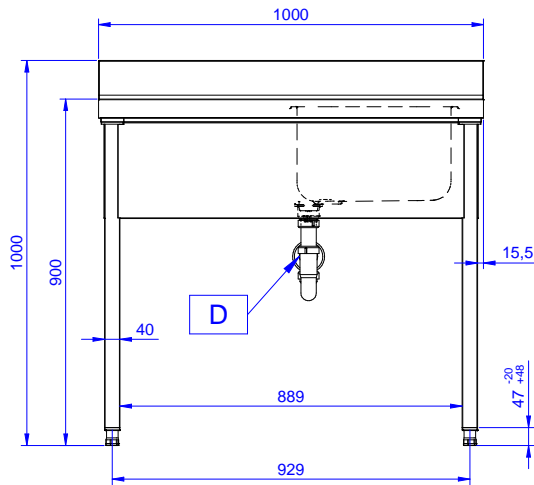
- Constructed entirely in stainless steel to offer maximum durability.
- Delivered in knock-down package.
- Wide range of taps are available to suit every need.
- Drainage area suitable for drying operations

Optional Accessories

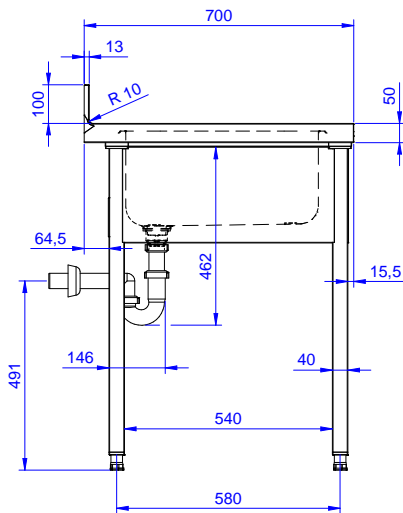
- Lower shelf for 1000 mm tables PNC 855144 and sinks and for 1600 mm undercounter dishwasher sinks
- Set of 4 wheels (2 with brake) PNC 855150 d. 100mm for tables and sinks (total height on wheels= 993 mm)
- 3-sided underframe for PNC 855151 1000mm tables
- Single plastic drain syphon 1,5 PNC 855306 " for work tables with bowl
- Elbow operated mixer tap with PNC 855322 spout 3/4", single hole
- Elbow operated mixer tap with PNC 855323 short spout 3/4", single hole
- Foot operated mixer tap (hot PNC 855328 and cold) with spout 3/4"

APPROVAL: _____

Front

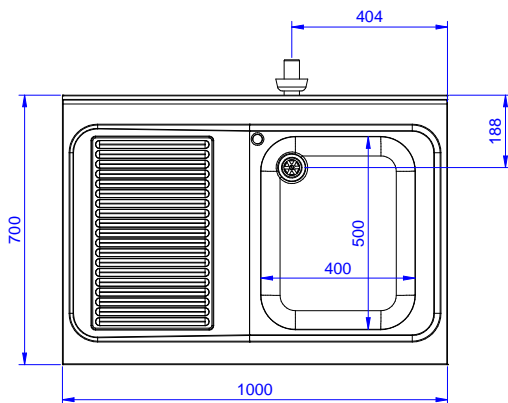


Side



D = Drain

Top


Key Information:

External dimensions, Width:	1000 mm
132896 (SL10SN)	
External dimensions, Depth:	700 mm
External dimensions, Height:	900 mm
Upstand Dimensions, Height:	100 mm
Upstand Dimensions, Depth:	13 mm
Upstand Dimensions, Radius:	R=10
Bowls number	1
Bowl dimensions	400X500XH250
Net weight:	40 kg